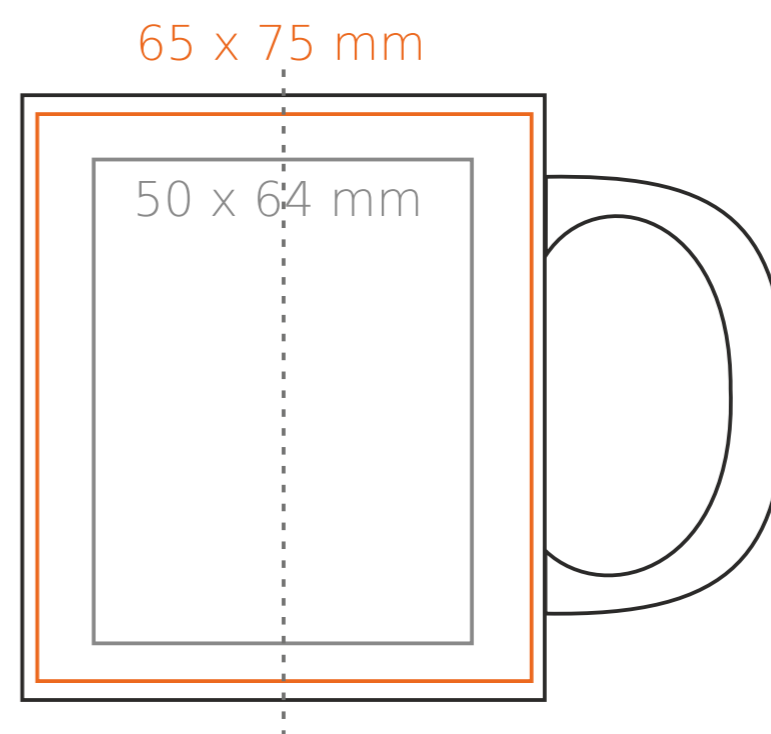
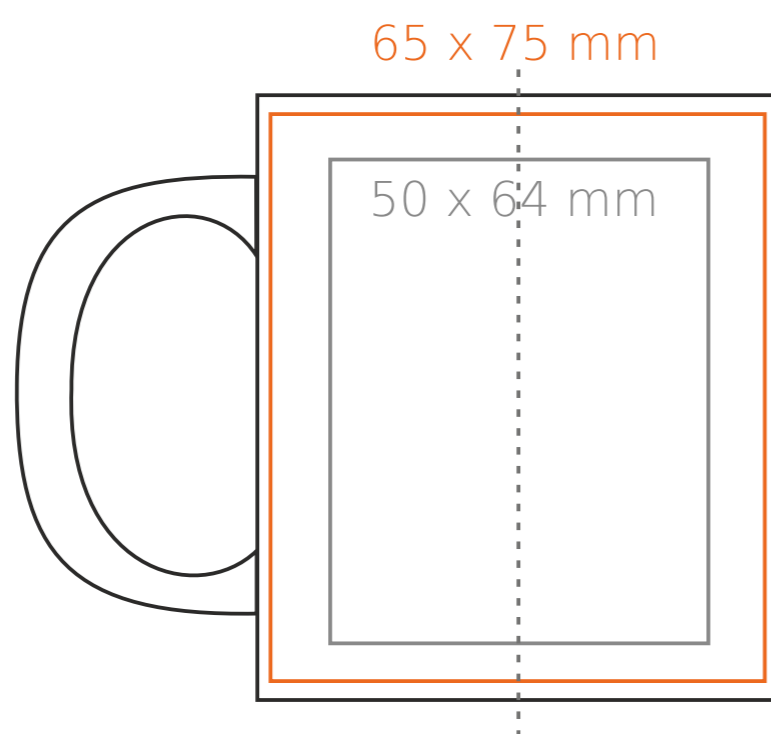
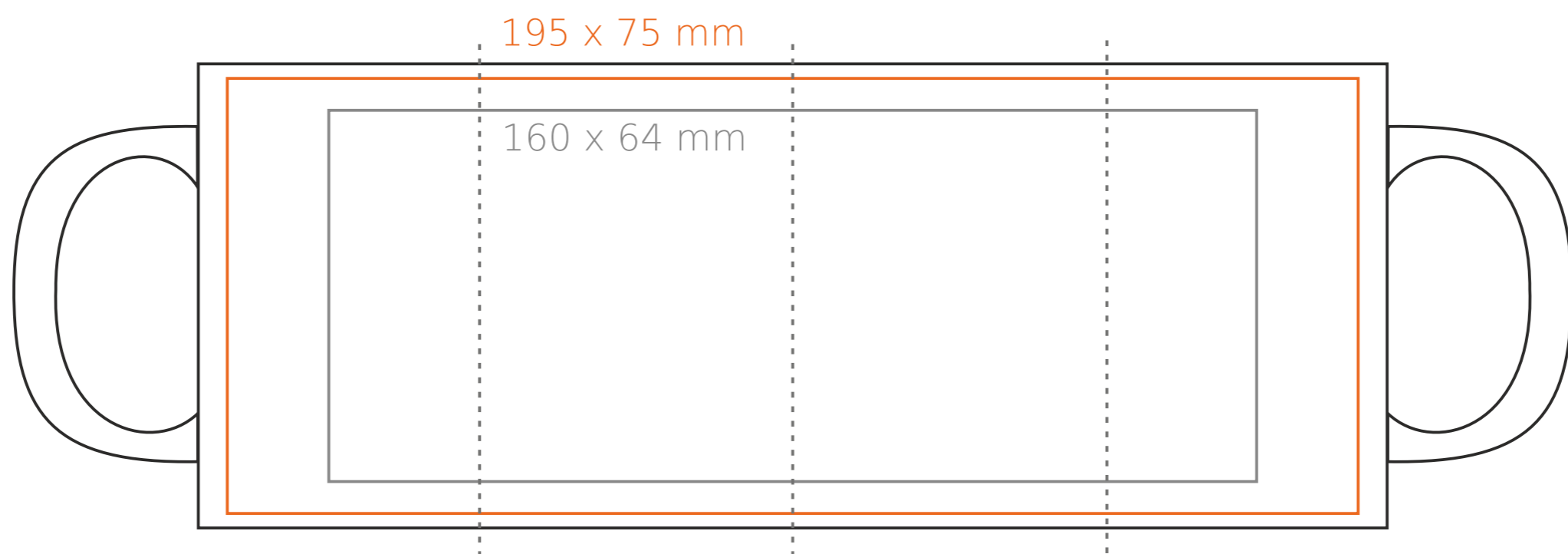


# M/055 Tomek Small

170 ml / h: 81 mm / Ø 69 mm



- |                               |              |
|-------------------------------|--------------|
| Imprint on the handle         | - 50 x 8 mm  |
| Imprint on the inside         | - 40 x 20 mm |
| Imprint on the bottom inside  | - Ø 30 mm    |
| Imprint on the bottom outside | - Ø 50 mm    |

\*In the case of projects for transfer print running outside of the standard print area, please contact our sales department.

[How to prepare print material](#)

meaning

- Transfer Print
- Sensitive Touch
- Direct Print