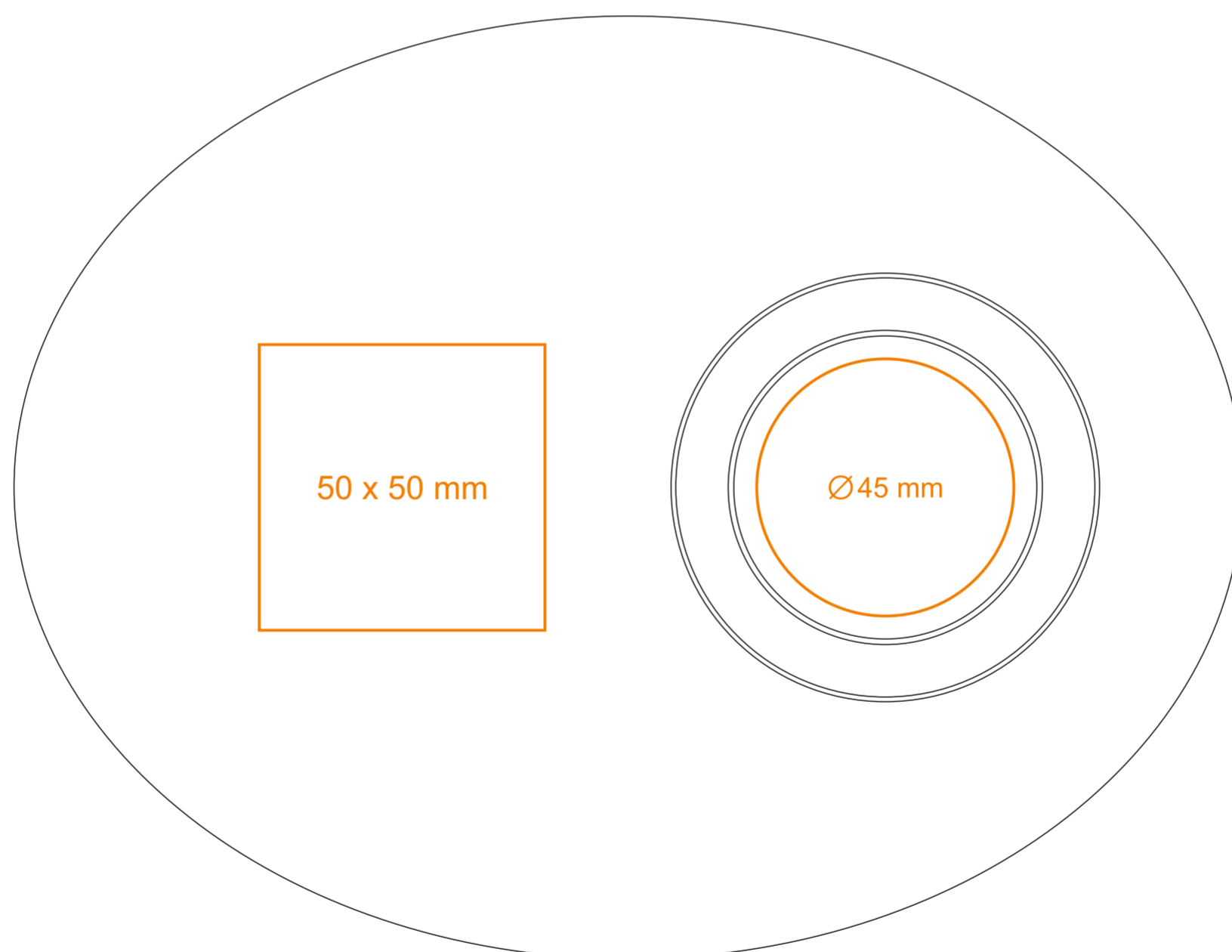
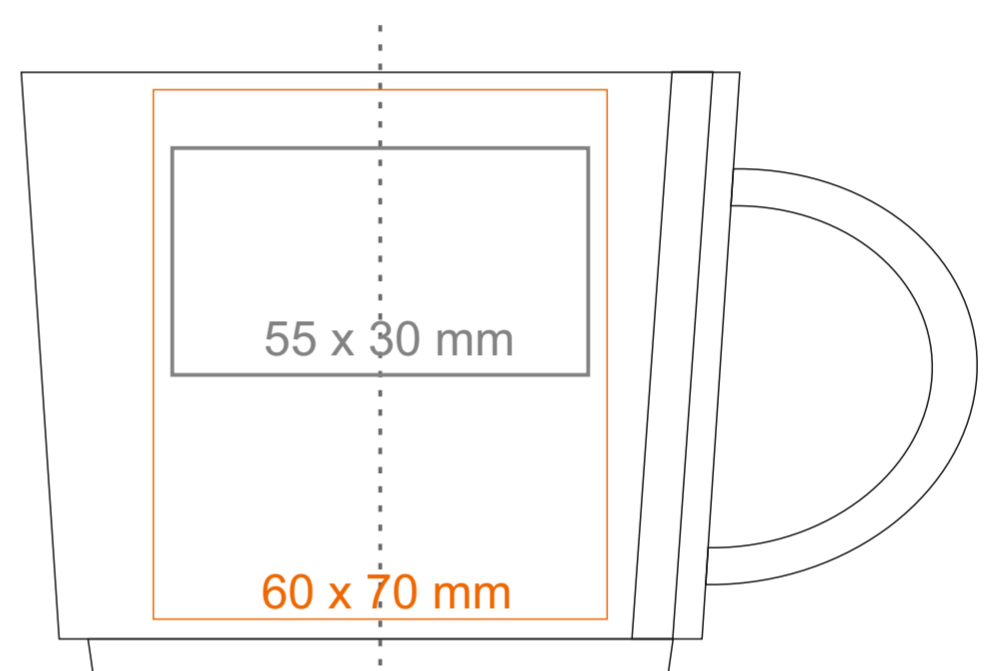
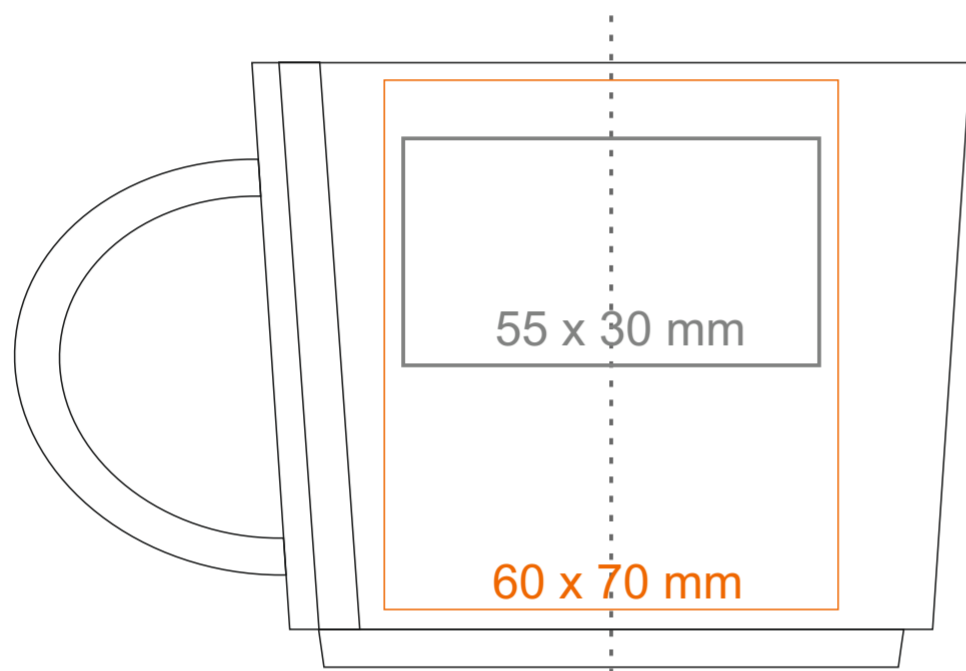
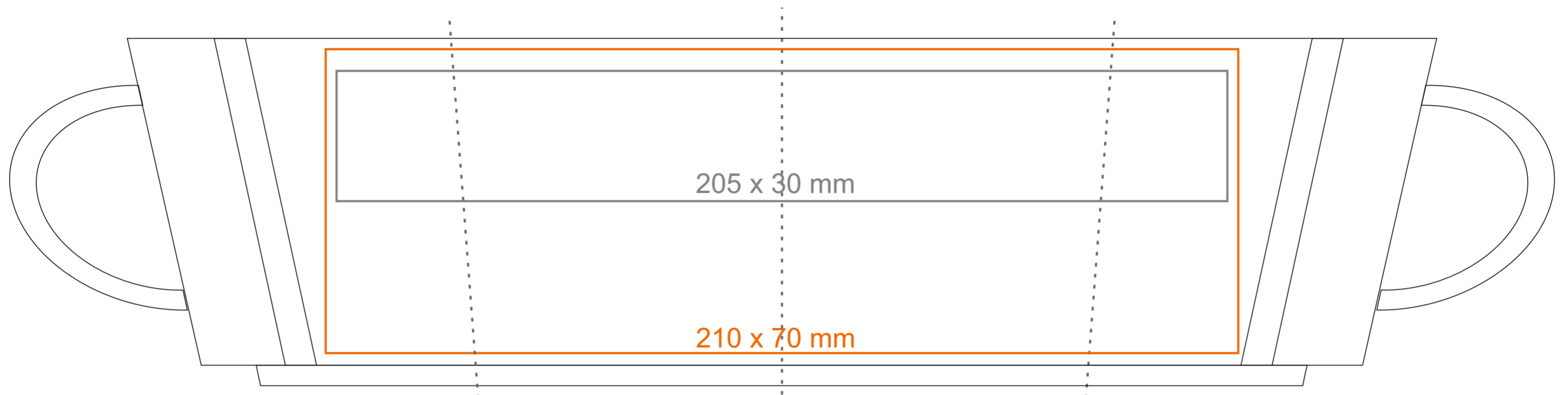


# C\_235 Lucas Set

350 ml / h: 80 mm / Ø 95 mm



- Imprint on the handle - 50 x 10 mm
- Imprint on the inside - 40 x 20 mm
- Imprint on the bottom inside - Ø 30 mm
- Imprint on the bottom outside - Ø 45 mm

\*In the case of projects for transfer print running outside of the standard print area, please contact our sales department.

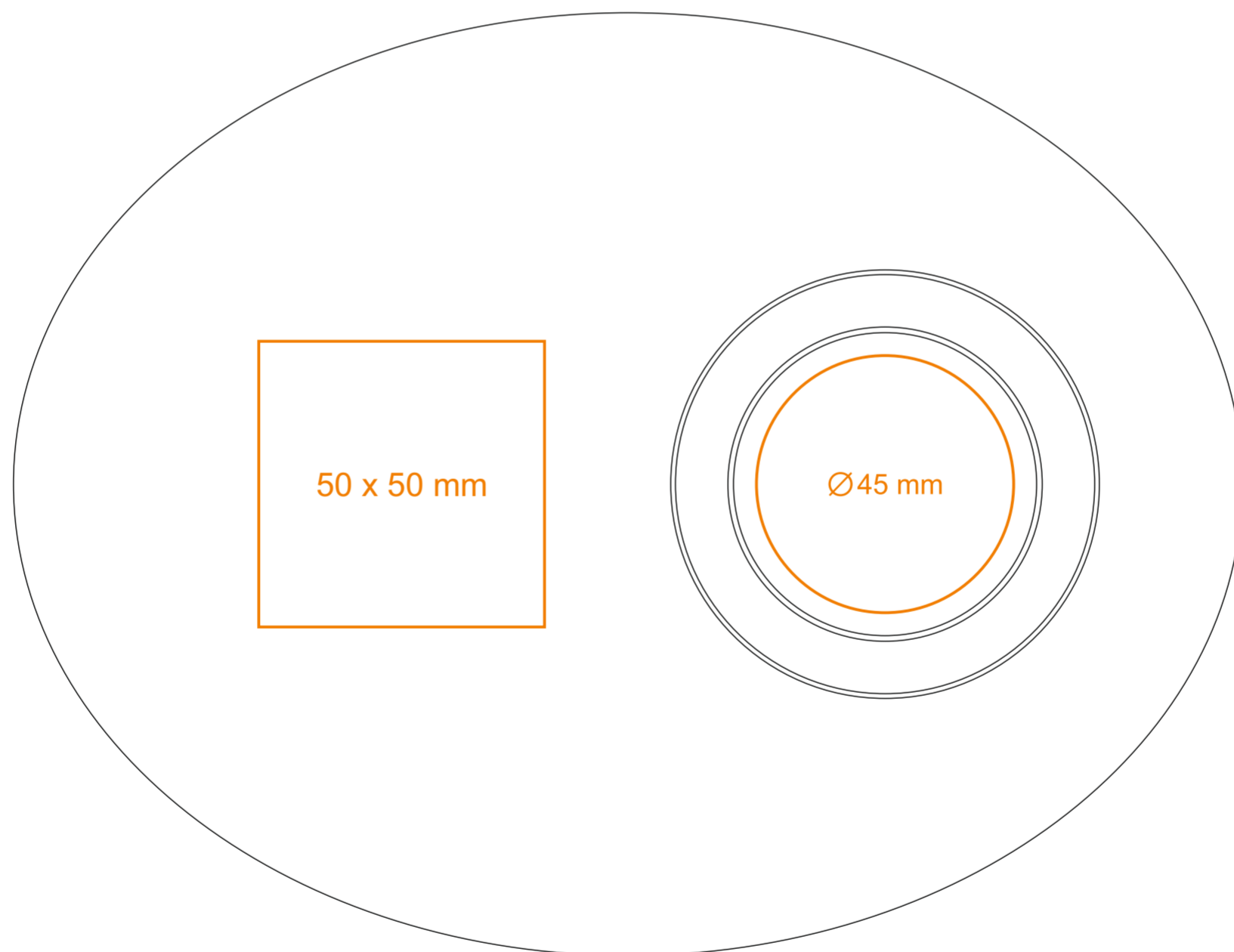
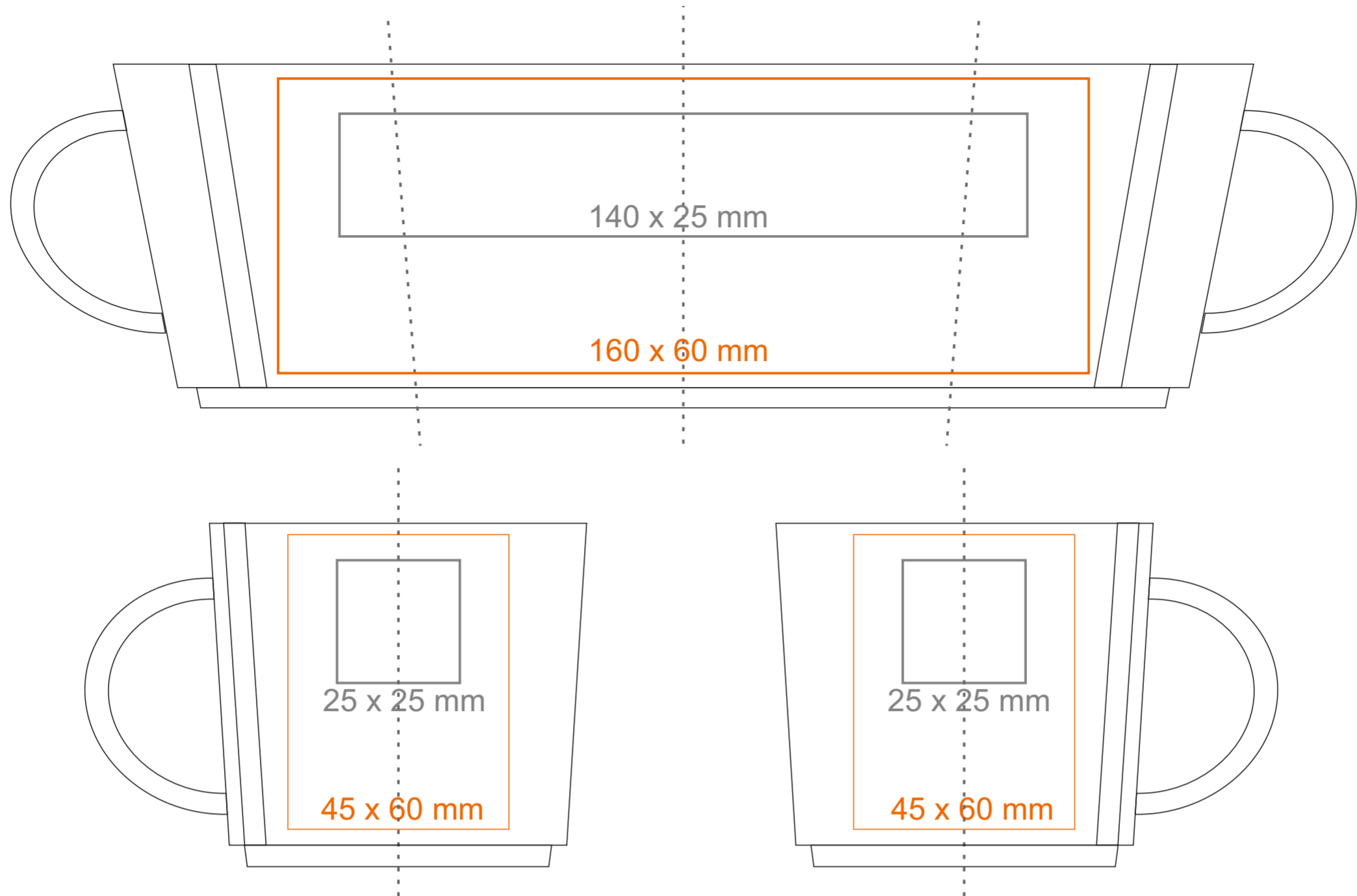
[How to prepare print material](#)

meaning

- Transfer Print
- Sensitive Touch
- Direct Print

# C\_253 Lucas Set

200 ml / h: 70 mm / Ø 77 mm



- Imprint on the handle - 50 x 10 mm
- Imprint on the inside - 40 x 20 mm
- Imprint on the bottom inside - Ø 30 mm
- Imprint on the bottom outside - Ø 35 mm

\*In the case of projects for transfer print running outside of the standard print area, please contact our sales department.

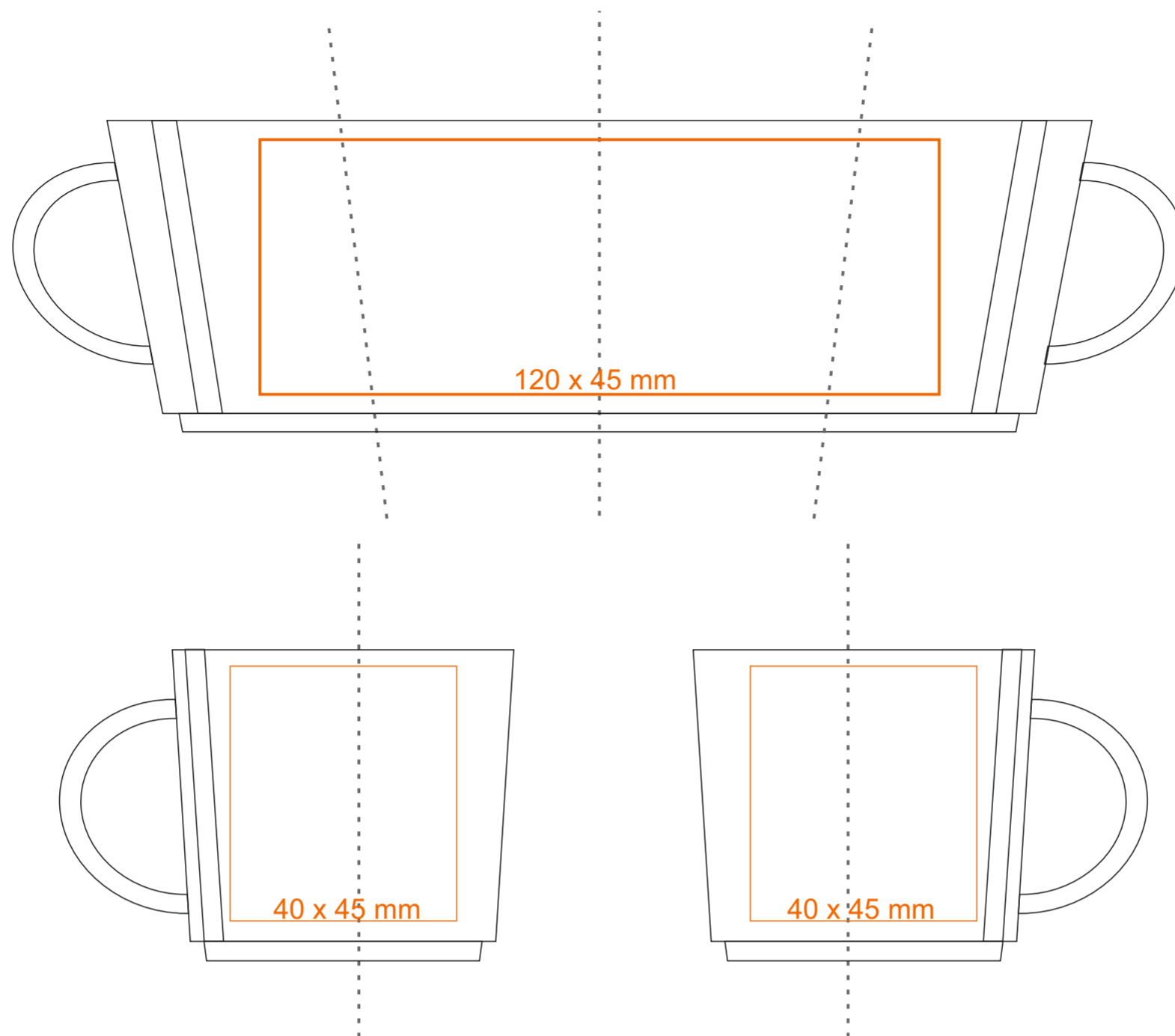
[How to prepare print material](#)

meaning

- Transfer Print
- Sensitive Touch
- Direct Print

# C\_253 Lucas Set

75 ml / h: 55 mm / Ø 60 mm



Imprint on the handle	- 50 x 5 mm
Imprint on the inside	- 25 x 20 mm
Imprint on the bottom inside	- Ø 25 mm
Imprint on the bottom outside	- Ø 20 mm

\*In the case of projects for transfer print running outside of the standard print area, please contact our sales department.

[How to prepare print material](#)

meaning

- Transfer Print
- Sensitive Touch
- Direct Print